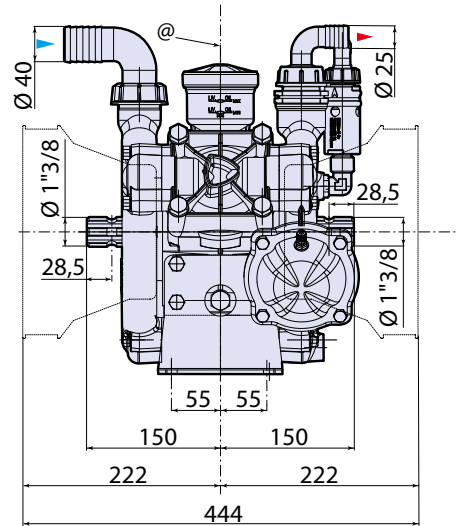
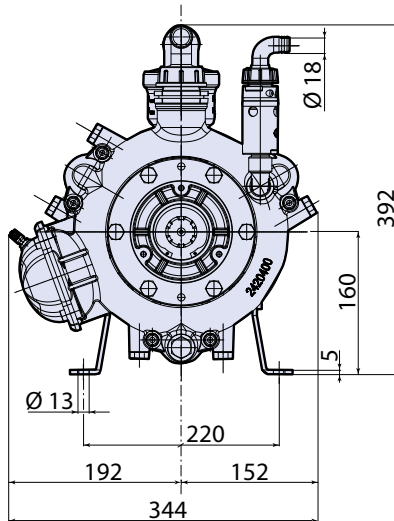
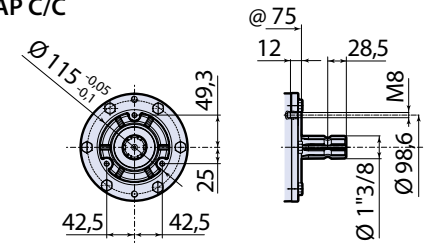




AR 125 BP - AR 145 BP

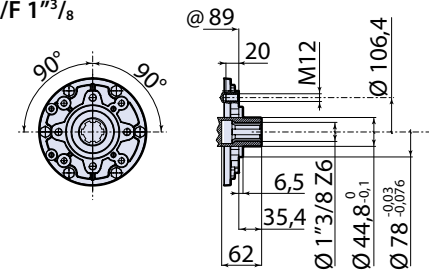


AP C/C



@ = Pump axis - 泵中心线

AP C/F $1\frac{3}{8}$



@ = Pump axis - 泵中心线